

4

3

2

1

D

D

C

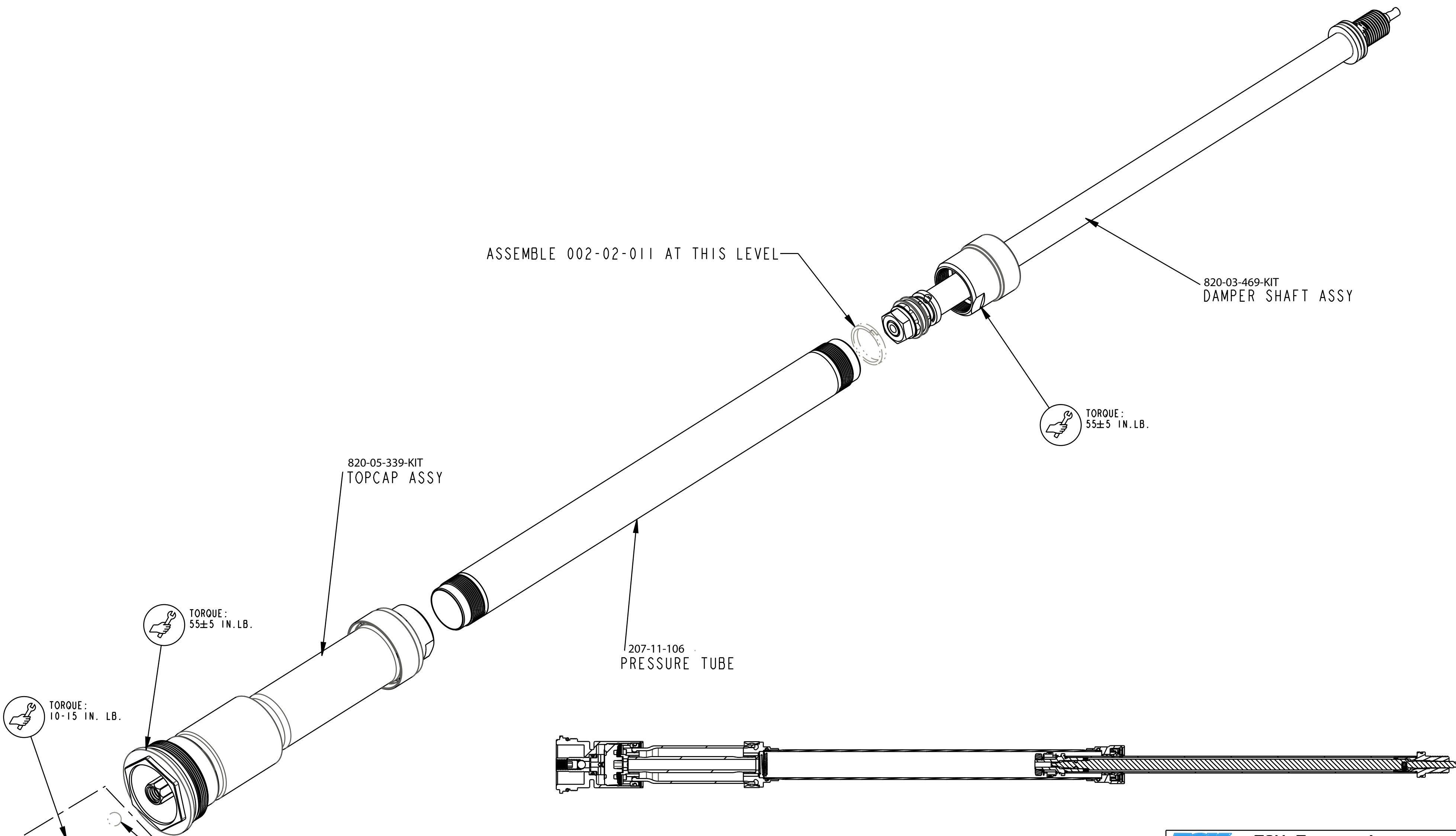
C

B

B

A

A



ASSEMBLE 002-02-011 AT THIS LEVEL

820-03-469-KIT
DAMPER SHAFT ASSY

TORQUE:
55±5 IN. LB.

820-05-339-KIT
TOPCAP ASSY

207-11-106
PRESSURE TUBE

TORQUE:
55±5 IN. LB.

TORQUE:
10-15 IN. LB.

010-01-001
Air Valve Parts: Ball [Ø 0.1875] E52100 Grade 25 Steel, Chrome

019-01-107
Fastener Standard (Metric): Socket Set Screw [M6 X 1.0 x 6.0MM] Flat PT, SST

ASSEMBLE THESE PARTS AFTER OIL FILL

PROPRIETARY -
THIS DOCUMENT CONTAINS CONFIDENTIAL, PROPRIETARY INFORMATION
THAT IS FOX PROPERTY. DO NOT DISCLOSE TO OR DUPLICATE
FOR OTHERS EXCEPT AS AUTHORIZED BY FOX.

FOX FOX Factory, Inc. Ph 831-768-1100
130 Hangar Way, Watsonville, CA 95076 USA Fax 831-768-9312

TITLE
2016 34
P-S FIT4 Cart Assy

SIZE DWG. NO.
C
PLOT SCALE | .00:1 | SHEET 1 OF 1

4

3

2

1

ProE ASSEM